



User Instructions

Opus 700 Electric Salamander Grill OE7303

Please make a note of your product details for future use:

Date Purchased: _____

Model Number: _____

Serial Number: _____

Dealer: _____

OPUS 700

Please read the following carefully before using this appliance.

Warnings and Precautions:

Please ensure that all commissioning checks and initial start-up procedures have taken place.

This manual should be kept in a safe and accessible place for future reference.

This appliance is designed for professional use and must only be operated by qualified personnel.

It is mandatory that all appliances are installed, commissioned and serviced by a qualified and competent person as defined by the regulations in force in the country of installation.

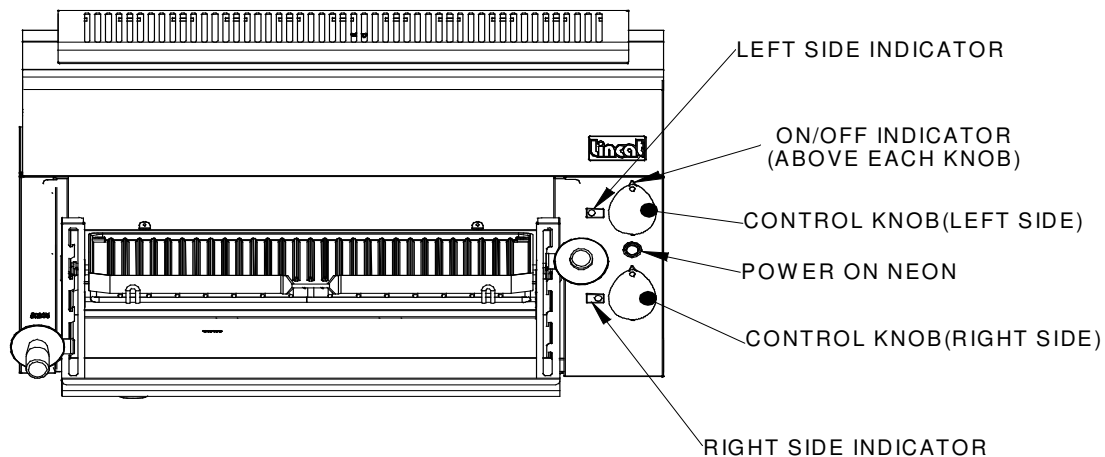
Failure to comply will invalidate the warranty.

Please ensure that the appliance is serviced regularly by a competent and registered catering equipment engineer.



During long periods of operation certain parts of the appliance will become hot. Care should be taken to avoid accidental burns. Ensure that the flue outlet is not be blocked and is kept clear at all times.

Fig. 1



Switching on the Appliance (Fig. 1, page 1)

1. Switch on the salamander by rotating both control knobs clockwise.
2. The top control knob operates the left hand side element and the bottom control knob operates the right hand side element.
3. The control knobs are to be rotated clockwise to the number Six marking for full power and to numbers One to Five for gradual heat settings.

Shutting down the Appliance (Fig. 1, page 1)

To turn off the appliance, turn both control knobs fully ant-clockwise to the OFF position.

COOKING ON THE SALAMANDER GRILL

- **Toasting on the Grill Shelf**

The grill shelf may be used in the horizontal position for toasting or browning/cheese melting.

- **Grilling on the Branding Plate (Fig. 2)**

The branding plate is ideal for the cooking of steaks, fillets, chops, cutlets, etc. and should be pre-heated for 8-10 minutes before such food products are introduced to achieve the best results.

To mount the branding plate on the grill shelf, locate the holes to the rear of the branding plate over the pegs on the rear of the grill shelf. The lever mechanism (see “Grill Pan”, page 3) allows the grill shelf and / or branding plate to be held at a variety of height levels and angles to optimise the cooking process. In the horizontal positions the grill shelf or branding plate are slightly angled downwards to allow natural drainage of the branding plate.



The drip tray should be checked regularly for build up of residue and emptied, as necessary.

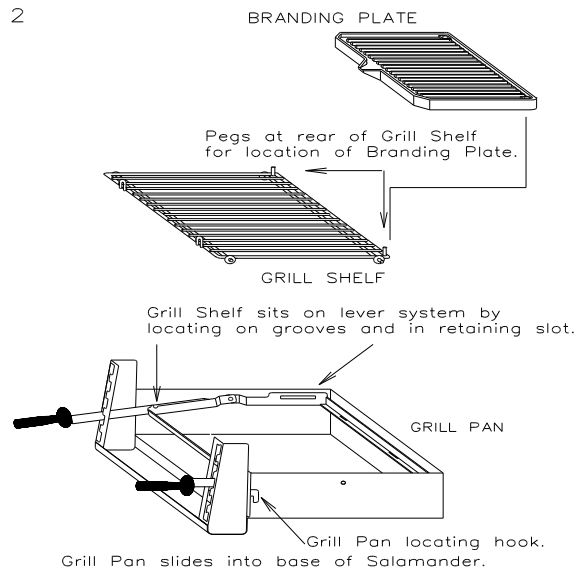
NB Suitable gloves should be worn and a receptacle suitable for moving hot residue should be available for the disposal of waste from the drip tray. The drain valve has a 15mm compression fitting, so that a drain tube can be fitted (provided the location of the grill and safety considerations allow). The drain tube which can be easily removed to allow the lever system to be withdrawn from the grill.

GRILL PAN

The grill pan has an integral drip tray with drain valve and a lever system for the easy adjustment of cooking positions of the branding plate / grill shelf. Minimal familiarisation is required before using the lever system.

- The right hand lever controls the movement of the rear of the branding plate / grill shelf and has a light-to-touch movement. To lift the rear, pull the lever gently down.
- The left hand lever controls the front part and the movement is more positive due to the weight distribution of the branding plate. To lift the front, push the lever up.

Fig. 2



REMOVAL OF THE LEVER SYSTEM

First of all, ensure the drip tray has been drained and sufficient time has been allowed for the grill pan to cool down. (This can take up to 90 minutes if the grill was used for a long period).



The lever system is extremely heavy! Two people are required to remove and replace it. Lift at the front and pull forward. To replace, slide the grill pan into the grill pan and lift the front of the grill pan to locate the restraining hooks into the slots on the front face of the enamelled liner.

CLEANING



Ensure electricity supply is switched off before commencing cleaning. The unit can be washed down with a warm detergent solution.

Removable items such as the grill shelf and branding plate can be cleaned in the designated washing area. We recommend the use of a cleaner, such as “Carbon-off”, on a daily basis if the branding plate is used regularly. An abrasive may be used on the branding plate at the user’s discretion.

Do **not** use abrasives on stainless steel or enamelled parts.

Do **not** use any products containing chlorine to clean stainless steel surfaces.



Under any circumstances, do **not** clean the appliance using a water jet or a steam cleaner!.


MAINTENANCE OF THE SALAMANDER GRILL

This appliance should be serviced and maintained regularly.

SERVICE INFORMATION

For help regarding the installation, maintenance and use of your LINCAT equipment, please call:-

LINCAT SERVICE HELP DESK

 **+44 (0) 1522 875520**

AUTHORISED SERVICE AGENTS

We recommend that all servicing, other than routine cleaning, be carried out by our authorised service agents. We cannot accept responsibility for work carried out by other persons.

Please quote both the model and serial numbers from the data plate attached to the unit. Give brief details of the service requirement.

If possible please quote the product code of the part number you require.

Work carried out under warranty will normally be undertaken only during normal working hours, i.e.

Monday to Friday, 8.30 a.m. - 5.00 p.m.

CONDITIONS OF GUARANTEE

The guarantee does not cover:-

- 1) Accidental breakage or damage
- 2) Operational misuse, wear and tear from normal usage, incorrect adjustment, or neglect.
- 3) Incorrect installation, maintenance, modification or unauthorised service work.

SPARE PARTS LIST

Part number	Description
BR05	Branding Plate
EL203	Element 3.4 kW
EN10	Energy Regulator
CO09	Relay
HA05	Handle (for lever system)
HA06	Handle Disc (Plastic)
HA17	Handle Disc (Metal)
KN218	Control Knob
SH14	Grill Shelf